

SmartCut™ EasyBlade

A4 Desktop Trimmer

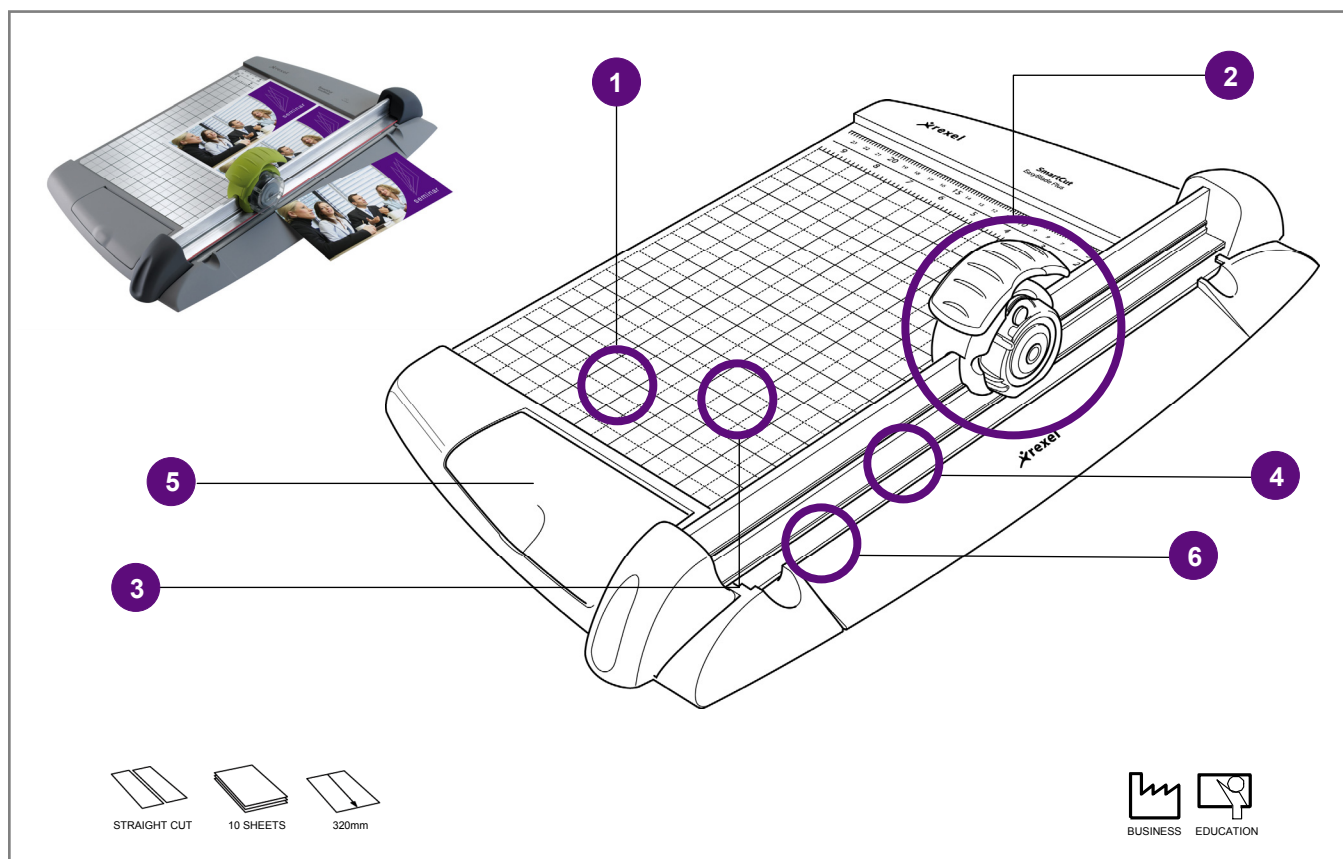
- Safe 'Blade Cartridge' completely encases the cutting blade
- Simple 'press' and 'release' mechanism to replace Blade Cartridge
- 320mm Trim Length
- 10 Sheet (80gsm) Trim Capacity*
- Metric/Inch Rules and Markings
- Replacement Blade Cartridges available

* Trim Capacity strictly relates to 80gsm Paper

Ideal for both Home/Hobby and Personal Office use.

Features & Benefits

- 1 Paper Guides – A4, A5, A6, Metric & Inch**
For ease of Paper alignment
- 2 Blade Cartridge**
Easy & Safe to Change with simple 'press' and 'release' mechanism
Code 2102018
- 3 Durable Metal Base**
With aluminium overlay
- 4 Integrated Auto Clamping System**
Automatically holds paper firm whilst Trimming
- 5 Built-in Storage area**
Stores 2 spare Blade Cartridges
- 6 Replacement Cutting Mat available**
Code 2101986



Technical Specifications

Cutting Length	320mm
Paper size	A4
Straight cut capacity (80gsm)	10 sheets
Laminated material	250 micron
Paper guides	A4, A5, A6 & A7
Ruler in cm and Inches	Yes
Diagonal lines	Yes
Base quality	Aluminium overlay
Paper clamp	auto

Replacement blades	Yes
Cutting mats	Yes
Warranty	2 years
Weights	1.06 kg
Working Surface (LxW)	320 x 260mm
Machine Dimensions (LxWxH)	303 x 526 x 100mm
Safety Approvals	TUV

Rexel reserves the right to modify specifications without notice.

Product Code:
2101975

